

ANTIBLOCKER®

HIGH PRESSURE IN-LINE FILTER

MICRON RATING: 50 and 120 nominal

MATERIAL: Zinc plated steel

TEMPERATURE RANGE: -40°F to 250°F

High vibration and shock resistant

SIZES: 3/8" to 3/4"

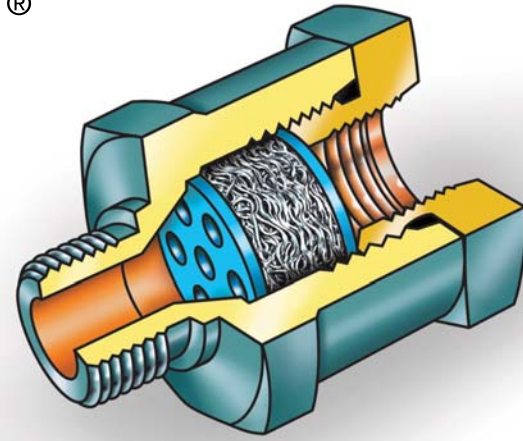
WORKING PRESSURE RANGE: 0 to 6000 PSI

COLLAPSE PRESSURE RANGE: 0 to 6000 PSI

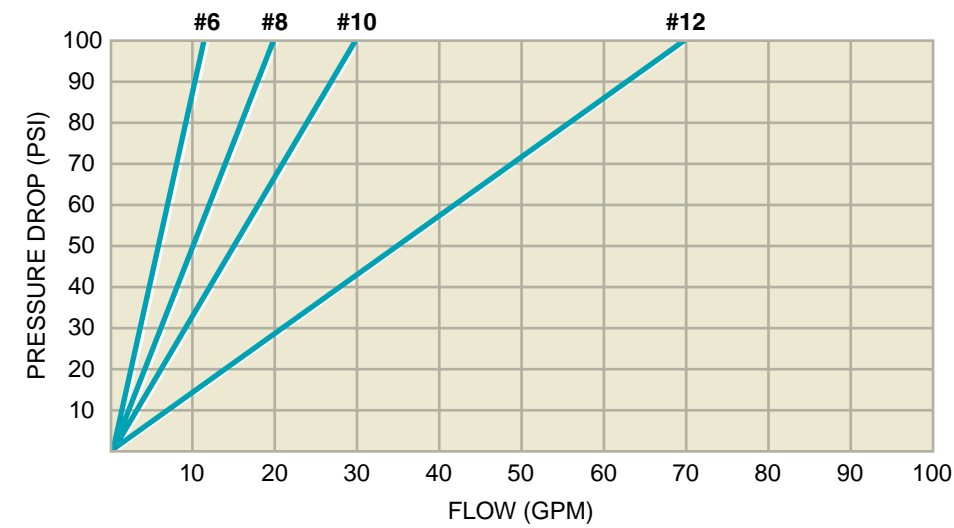
FLOW CAPACITY: 0 to 100 GPM

PRESSURE DROP: See diagram

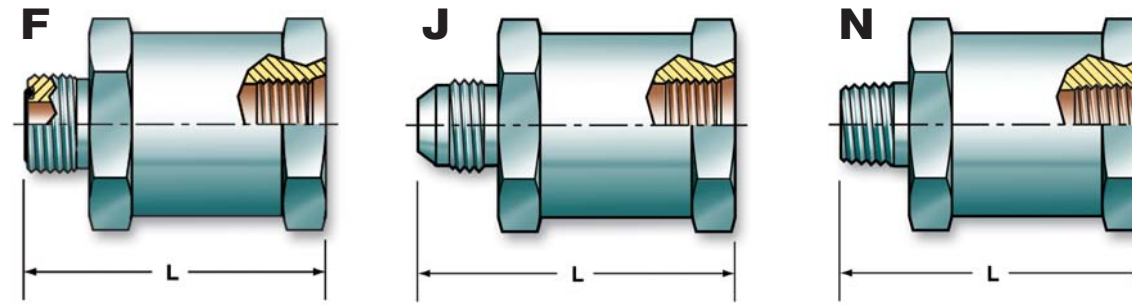
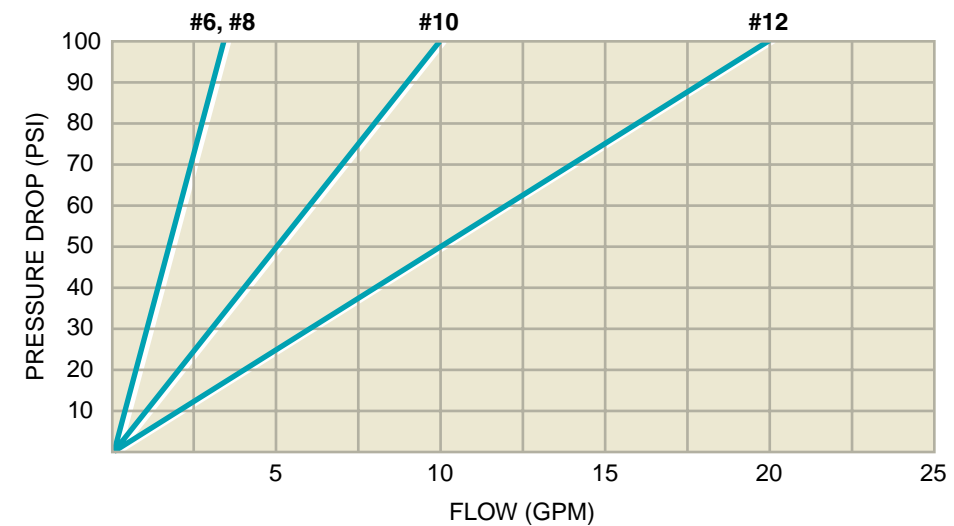
Other micron ratings, sizes and materials available upon request.



AVERAGE PRESSURE DROP THRU 120 MICRON NOMINAL RATING FILTER WITH 20 cSt HYDRAULIC OIL

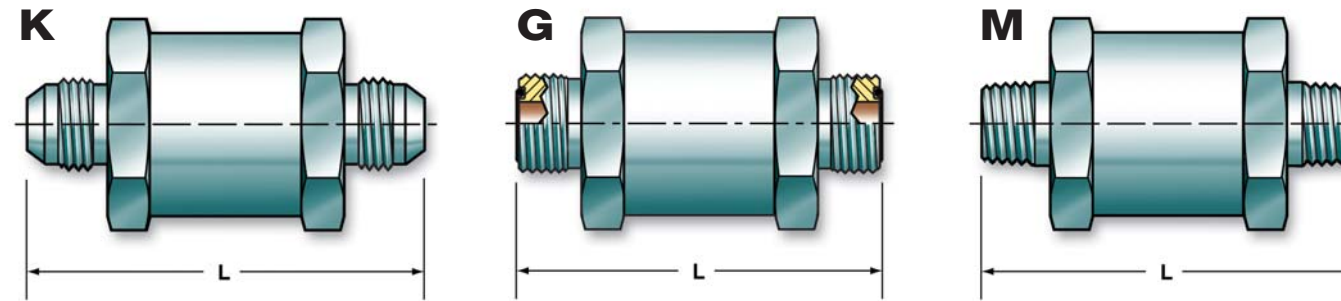


AVERAGE PRESSURE DROP THRU 50 MICRON NOMINAL RATING FILTER WITH 20 cSt HYDRAULIC OIL



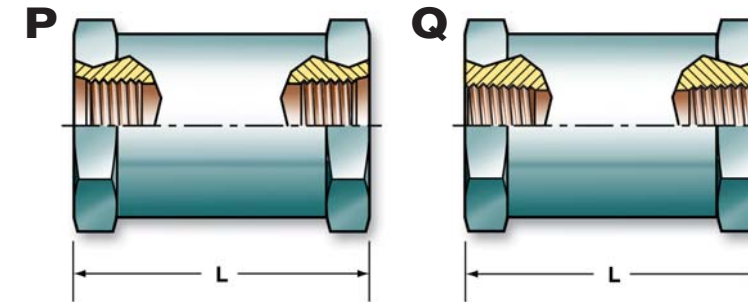
TYPE	SIZE	LENGTH (L)	CONNECTION 1		CONNECTION 2		HEX
			STYLE	THREAD	STYLE	THREAD	
F	6	2.4	FACE SEAL	11/16-16	SAE ORB	9/16-18	1-1/2
F	8	2.4	FACE SEAL	13/16-16	SAE ORB	3/4-16	1-1/2
F	10*	3.5	FACE SEAL	1"-14	SAE ORB	7/8-14	2-7/8
F	12*	3.6	FACE SEAL	1-3/16-12	SAE ORB	1-1/16-12	2-7/8
J	6	2.5	37° JIC	9/16-18	SAE ORB	9/16-18	1-1/2
J	8	2.6	37° JIC	3/4-16	SAE ORB	3/4-16	1-1/2
J	10*	3.7	37° JIC	7/8-14	SAE ORB	7/8-14	2-7/8
J	12*	3.8	37° JIC	1-1/16-12	SAE ORB	1-1/16-12	2-7/8
N	6	2.5	NPTF	3/8-18	NPTF	3/8-18	1-1/2

*Quoted on request



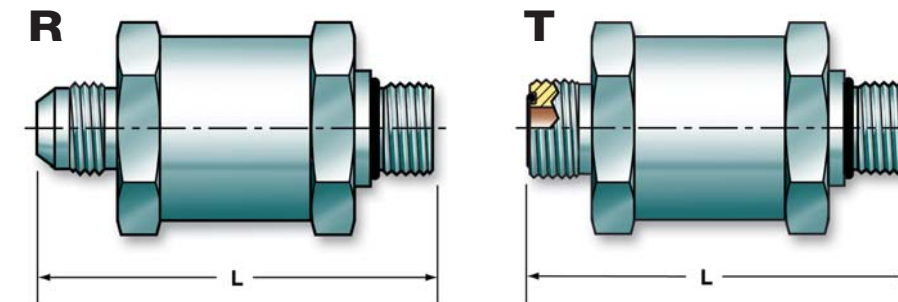
TYPE	SIZE	LENGTH (L)	CONNECTION 1		CONNECTION 2		HEX
			STYLE	THREAD	STYLE	THREAD	
K	6	3.1	37° JIC	9/16-18	37° JIC	9/16-18	1-1/2
K	8	3.3	37° JIC	3/4-16	37° JIC	3/4-16	1-1/2
K	10*	4.5	37° JIC	7/8-14	37° JIC	7/8-14	2-7/8
K	12*	4.7	37° JIC	1-1/16-12	37° JIC	1-1/16-12	2-7/8
G	6	2.8	FACE SEAL	11/16-16	FACE SEAL	11/16-16	1-1/2
G	8	2.9	FACE SEAL	13/16-16	FACE SEAL	13/16-16	1-1/2
G	10*	4.2	FACE SEAL	1"-14	FACE SEAL	1"-14	2-7/8
G	12*	4.3	FACE SEAL	1-3/16-12	FACE SEAL	1-3/16-12	2-7/8
M	6	3.1	NPTF	3/8-18	NPTF	3/8-18	1-1/2

*Quoted on request



TYPE	SIZE	LENGTH (L)	CONNECTION 1		CONNECTION 2		HEX
			STYLE	THREAD	STYLE	THREAD	
P	6	2.4	SAE ORB	9/16-18	SAE ORB	9/16-18	1-1/2
P	8	2.5	SAE ORB	3/4-16	SAE ORB	3/4-16	1-1/2
P	10*	3.0	SAE ORB	7/8-14	SAE ORB	7/8-14	2-7/8
P	12*	3.2	SAE ORB	1-1/16-12	SAE ORB	1-1/16-12	2-7/8
Q	6	2.4	NPTF	3/8-18	NPTF	3/8-18	1-1/2

*Quoted on request



TYPE	SIZE	LENGTH (L)	CONNECTION 1		CONNECTION 2		HEX
			STYLE	THREAD	STYLE	THREAD	
R	6	3.0	37° JIC	9/16-18	SAE ORB	9/16-18	1-1/2
R	8	3.2	37° JIC	3/4-16	SAE ORB	3/4-16	1-1/2
R	10*	4.5	37° JIC	7/8-14	SAE ORB	7/8-14	2-7/8
R	12*	4.7	37° JIC	1-1/16-12	SAE ORB	1-1/16-12	2-7/8
T	6	2.9	FACE SEAL	11/16-16	SAE ORB	9/16-18	1-1/2
T	8	3.1	FACE SEAL	13/16-16	SAE ORB	3/4-16	1-1/2
T	10*	4.3	FACE SEAL	1"-14	SAE ORB	7/8-14	2-7/8
T	12*	4.5	FACE SEAL	1-3/16-12	SAE ORB	1-1/16-12	2-7/8

*Quoted on request

HOW TO ORDER

EXAMPLE: HPF-120-J-6-S

HPF - - - - - MATERIAL
 NOMINAL MICRON RATING 50 OR 120† TYPE SIZE FROM TABLE
 S - STEEL
 B - BRASS†
 SS - STAINLESS†
 AL - ALUMINUM†

Please contact our engineering department for assistance with special designs.

ALL DIMENSIONS ARE FOR REFERENCE ONLY

† Other micron ratings, sizes and materials available upon request.