

No Spills. No Tools.

Preventive maintenance has never
been so easy!



WEAR CHEK®

OIL SAMPLING VALVE



Fluid Line Products, Inc.
Designer and Manufacturer of Fluid Power Components



(440) 946-9470 Fax (440) 946-9472
flp@fluidline.com www.fluidline.com

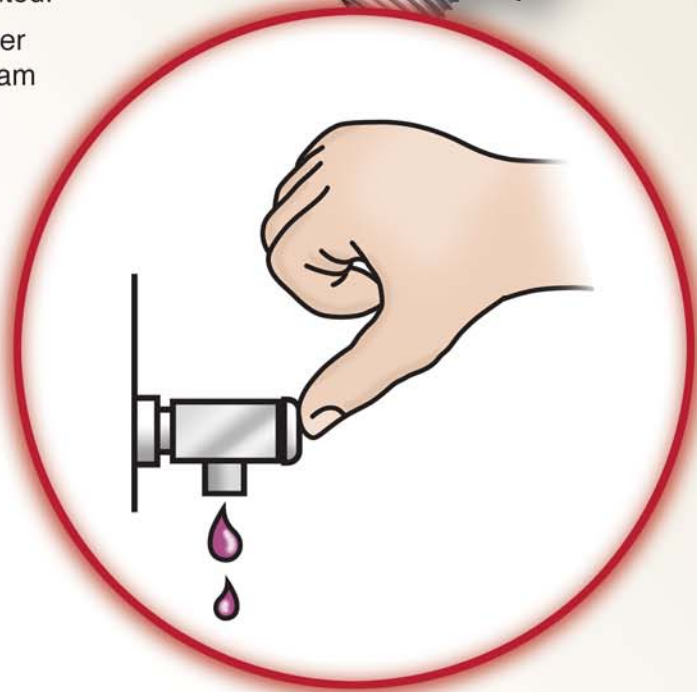
WEAR CHEK®

OIL SAMPLING VALVE

The easier it is to perform preventive maintenance, the more likely it will be done.

Now, leak-free sampling of system fluids couldn't be simpler or more reliable - without system shutdown. Only Wear Chek offers easy opening push button control - just push and release for sampling engine oil, transmission fluid and hydraulic fluids. Double seal construction and automatic positive closing ensure zero leak performance in return lines and blocks, oil galleries and pilot circuits. And, our one piece T-shaped design is not only rugged, but compact as well, facilitating installation where space is limited.

Help extend the usable life of critical fluid power systems. Encourage a regular sampling program with Wear Chek.



Construction:

Zinc plated steel

Operating Pressure Range:

0 to 600 PSI

Minimum Burst Pressure:

2400 PSI

Operating Temperature Range:

-30°F to 250°F

Minimum Particle Restriction:

400 microns

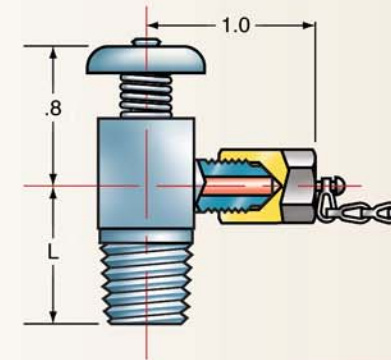
Most Common Sampling Practice on Off-highway Vehicles:

Engines:

Every 250 hours

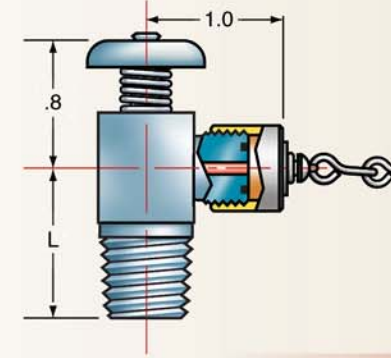
Other Hydraulic Systems:

Every 500 hours



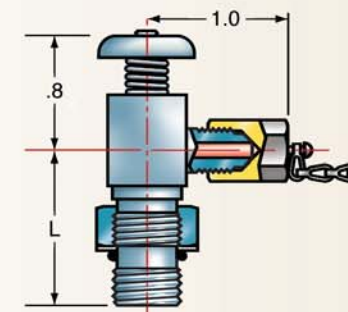
TYPE	SIZE	INLET	OUTLET	L
C	2	1/8-27 NPTF	45° SAE Flare	.81
C	4	1/4-18 NPTF	45° SAE Flare	.81

Thread sealant included on NPT thread



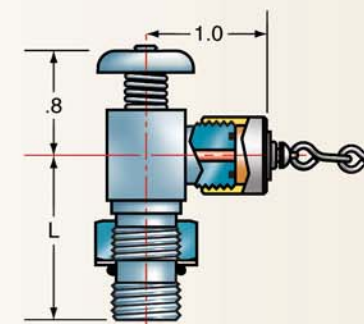
TYPE	SIZE	INLET	OUTLET	L
D	2	1/8-27 NPTF	Face Seal	.98
D	4	1/4-18 NPTF	Face Seal	.98

Thread sealant included on NPT thread



TYPE	SIZE	INLET	OUTLET	L
E	5	1/2-20 UNF SAE ORB	45° SAE Flare	1.13
E	6	9/16-18 UNF SAE ORB	45° SAE Flare	1.15

Buna N O-ring included on ORB connection

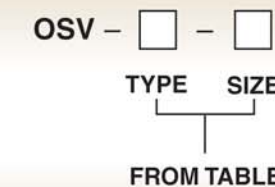


TYPE	SIZE	INLET	OUTLET	L
H	5	1/2-20 UNF SAE ORB	Face Seal	1.13
H	6	9/16-18 UNF SAE ORB	Face Seal	1.15

Buna N O-ring included on ORB connection and Face Seal connection

HOW TO ORDER

EXAMPLE: OSV - C - 2



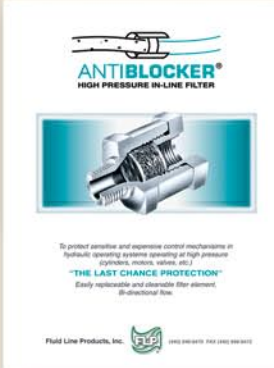
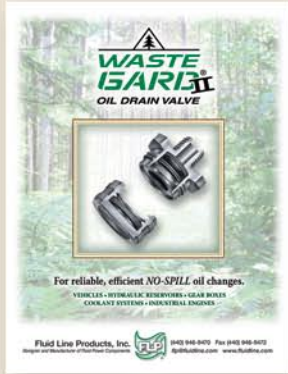
Please contact our engineering department for assistance with special designs.

ALL DIMENSIONS ARE FOR REFERENCE ONLY

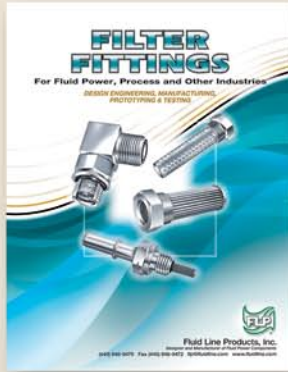
Other sizes and materials available upon request.

Call or write us for more information detailing additional product lines manufactured by Fluid Line Products.

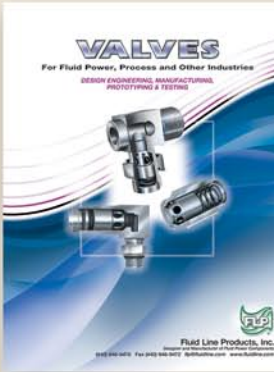
STANDARD PRODUCTS



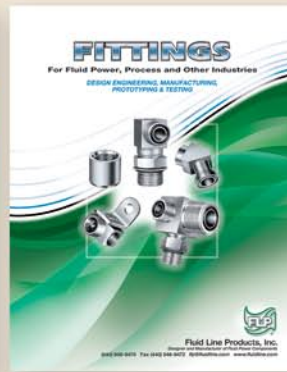
ENGINEERED PRODUCTS



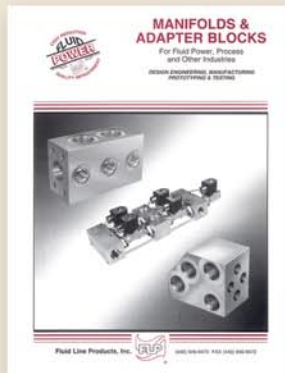
Filter Fittings



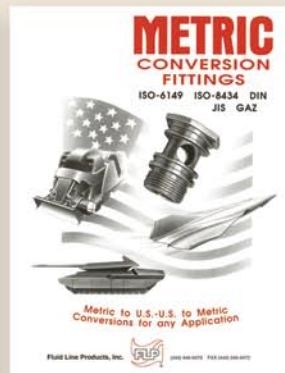
Valves



Fittings



Manifolds



Metric Conversion Fittings



Fluid Line Products, Inc.

Designer and Manufacturer of Fluid Power Components

38273 Western Parkway, P.O. Box 1000, Willoughby, Ohio 44096

(440) 946-9470 Fax (440) 946-9472

flp@fluidline.com www.fluidline.com